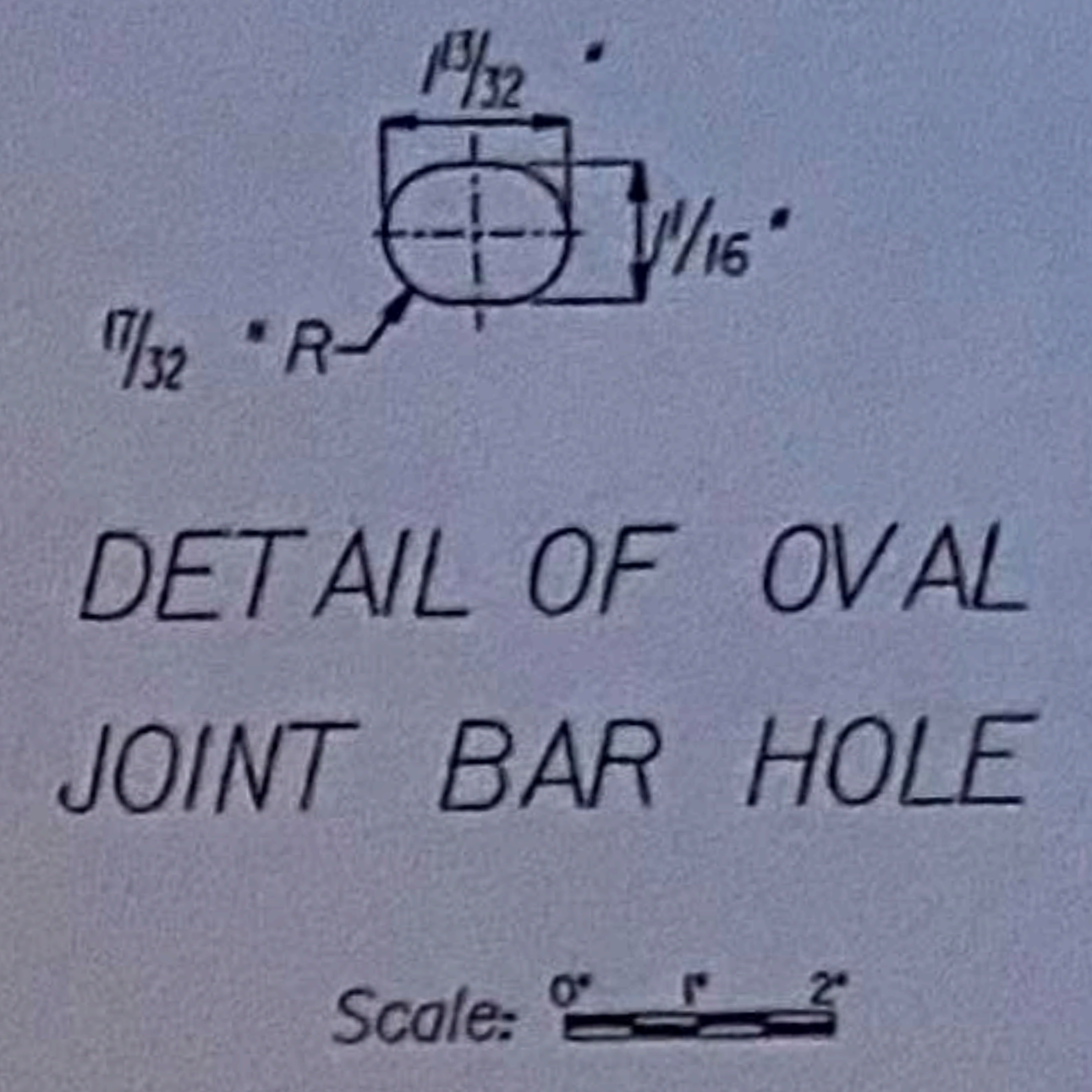


VERTICAL OFFSET JOINT BAR

Scale: 0" 1" 2"



DETAIL OF OVAL JOINT BAR HOLE

Scale: 0" 1" 2"

NOTES:

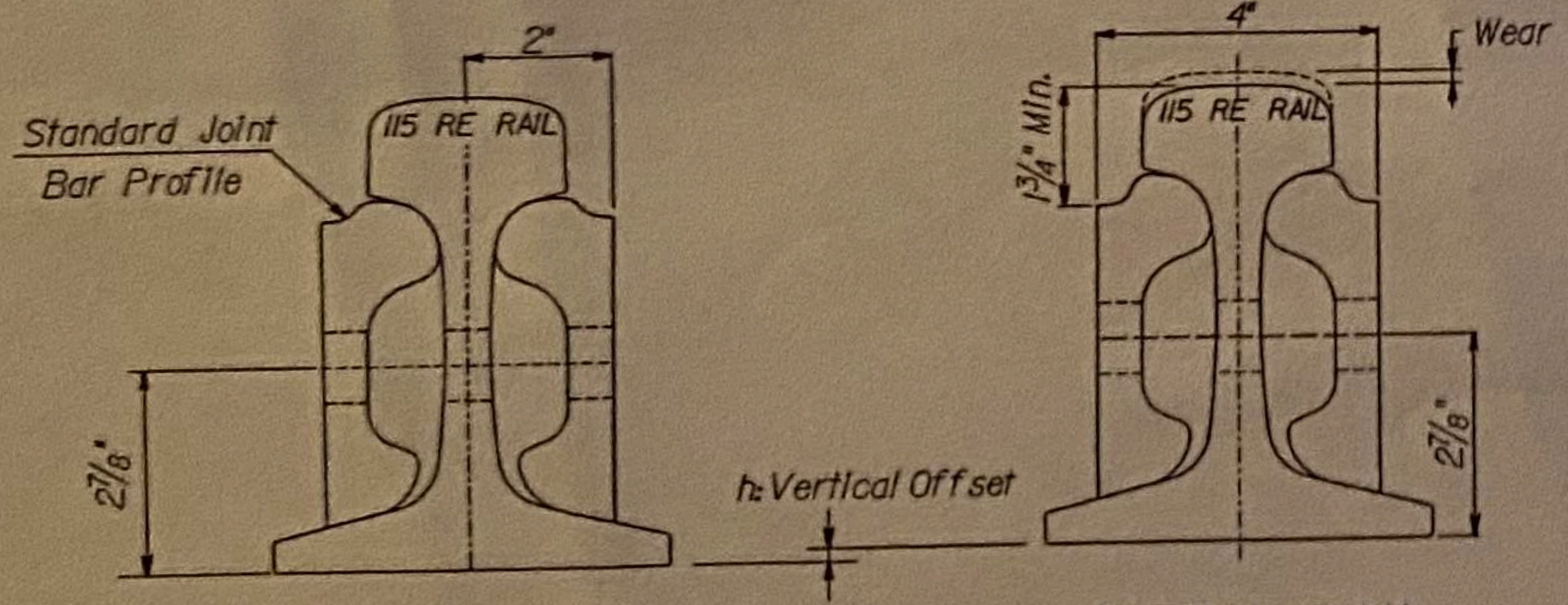
1. Vertical Offset Joint Bars to be as per Section II of Standard Specifications for Track, Infrastructure & Power Distribution Materials
2. Vertical Offset Joint Bars shall be secured in pairs for delivery
3. Vertical Offset Joint Bars shall be stamped with the 1/2" Inch indication of the offset height
4. Vertical Offset Joint Bars shall be painted bright yellow prior to delivery

REFERENCE

115 LB. RE Rail, Joint Gap Gauges and Joint Bar

STANDARD DWG. NO.

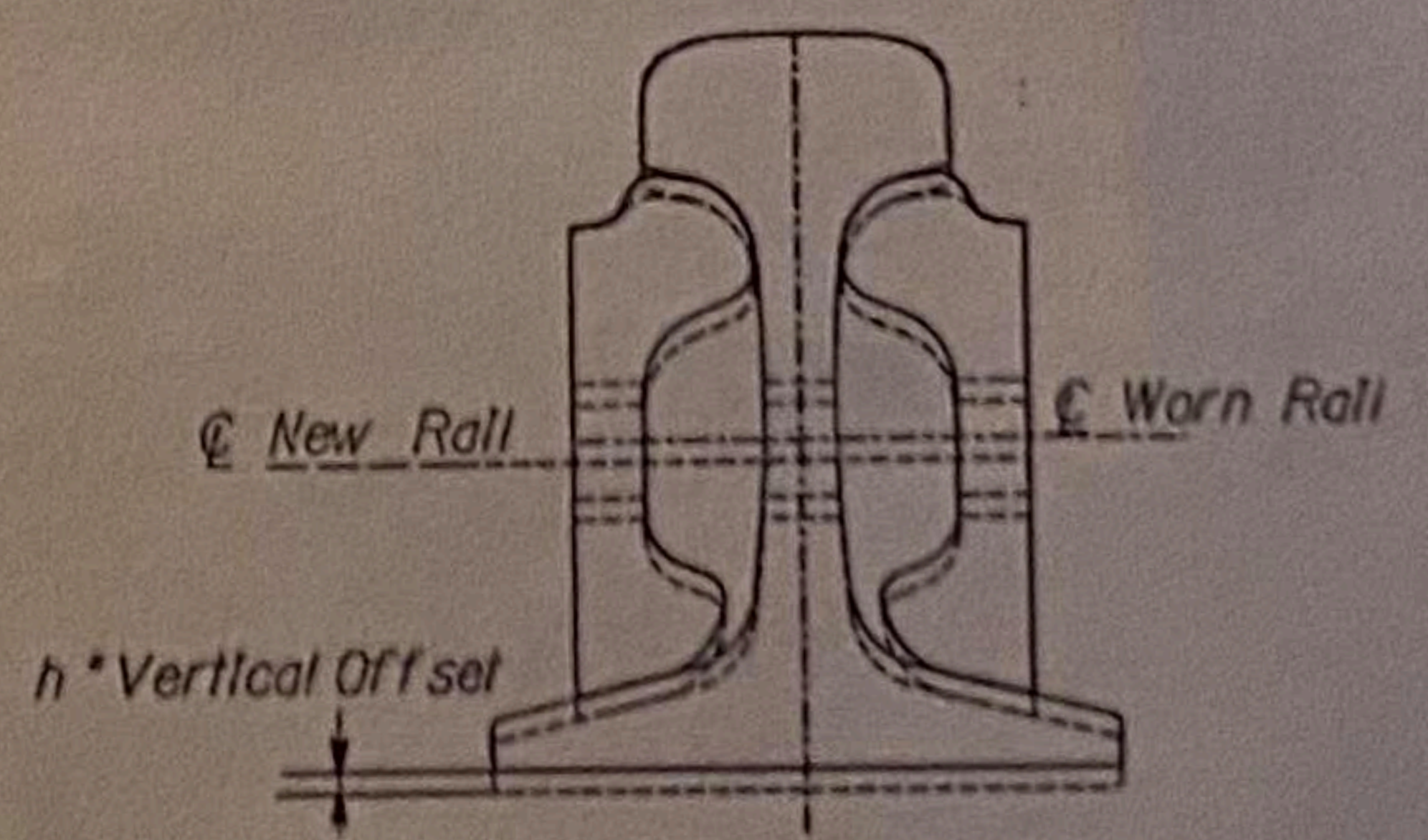
T-5001 Sheet 1



NEW RAIL END VIEW

WORN RAIL END VIEW

Scale: 0" 1" 2"



ALIGNMENT END VIEW

VERTICAL OFFSET h ( Inch )	BAR STOCK NO.
1/16 Inch	01 - 59 - 1160
1/8 Inch	01 - 59 - 1161
1/4 Inch	01 - 59 - 1162
3/8 Inch	01 - 59 - 1163

NEW YORK CITY TRANSIT DEPARTMENT OF SUBWAYS DIVISION OF ROLLING STOCK & M.O.M. ENGINEERING		TRACK STANDARD DRAWING 115 LB. RE RAIL, JOINT GAUGES, AND JOINT BARS VERTICAL OFFSET JOINT BAR FOR WORN RAIL	
DRAWN BY STANDARD	COORDINATED BY G. COBBATO, P.E.		DATE NOVEMBER 20, 2007
DESIGNED BY STANDARD	RECOMMENDED BY A. CABRERA, P.E.		DRAWING NO. T-5001 SHEET 2 OF 4
CHECKED BY B. PARASRAM, P.E.	 ADMIN. ENGINEER	APPROVED BY K. MOONEY, P.E.	 CHIEF OFFICER, ENGINEERING