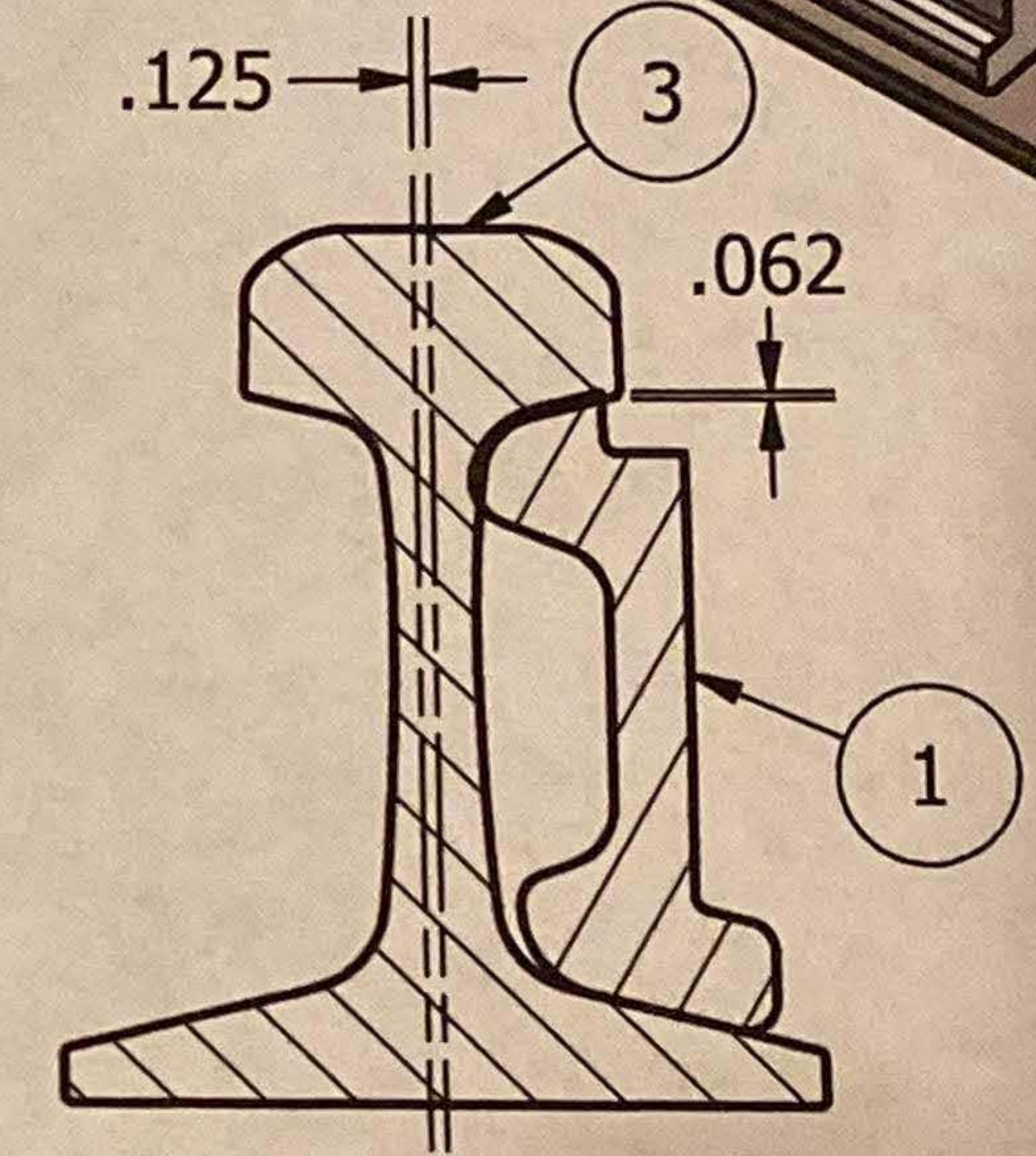


SECTION A-A
SCALE 1 / 4



SECTION B-B
SCALE 1 / 4

PARTS LIST

ITEM	QTY	PART NUMBER	DESCRIPTION
3	1	131-lb Rail AREA	131-lb Rail AREA
2	1	132-lb Rail AREA	132-lb Rail AREA
1	1	136 lb x 24in	136 lb x 24in

THIRD ANGLE PROJECTION

DRAWN BY
RM 6/17/2016

UNLESS OTHERWISE SPECIFIED:

0.00 = ± 0.01 in
0.000 = ± 0.005 in
0.0000 = ± 0.0005 in
ANGULAR = ± 0' 30"

CHECKED

APPROVED

S&K Steel Products Inc.

TITLE
132 lb To 131 lb x 24in Comp Joint Bar

SIZE A	DWG NO 132 lb To 131 lb x 24in Comp Joint Bar	REV -
-----------	--	----------

SCALE: 1/8 SHEET 1 OF 1