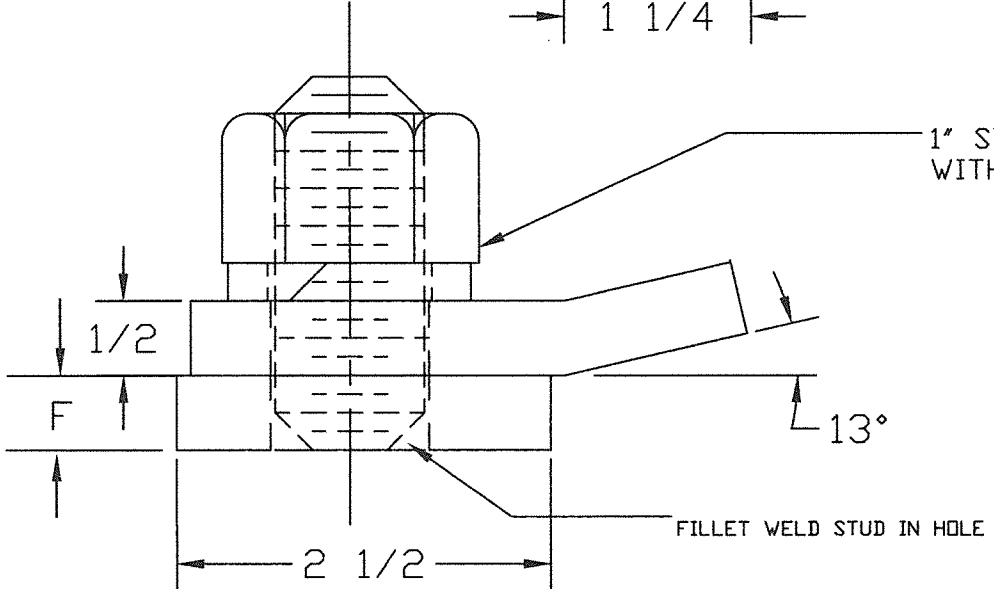
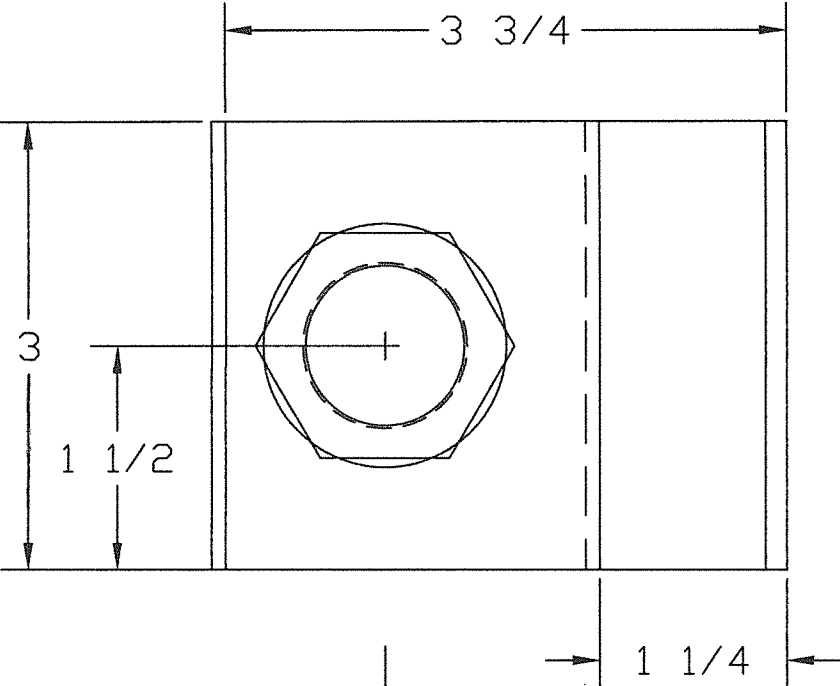


# SINGLE HOLE CLAMP & REVERSIBLE FILLER WITH WELDED STUD



1" STUD WELDED IN PLACE  
WITH NUT AND LOCKWASHER

FILLET WELD STUD IN HOLE

F = THICKNESS DEPENDS ON RAIL SIZE

3/5/2003

DESCRIPTION					
SINGLE HOLE WELDED STUD ASSEMBLY					
BOLT	BOLT GAGE	TYP SPACING	MAT'L	WEIGHT	REV
1"	N/A	24"	A36	3.7 lbs	0
SCALE		TOL.	PART NO.		
NONE		+/- .030	CFA203WEL		

This drawing is the property of S&K Steel Products, Inc.  
It is issued for engineering information only and may not  
be copied for manufacturing without written permission from S&K.  
S&K reserves the right to modify details necessary to facilitate mfg.

CFA203WEL