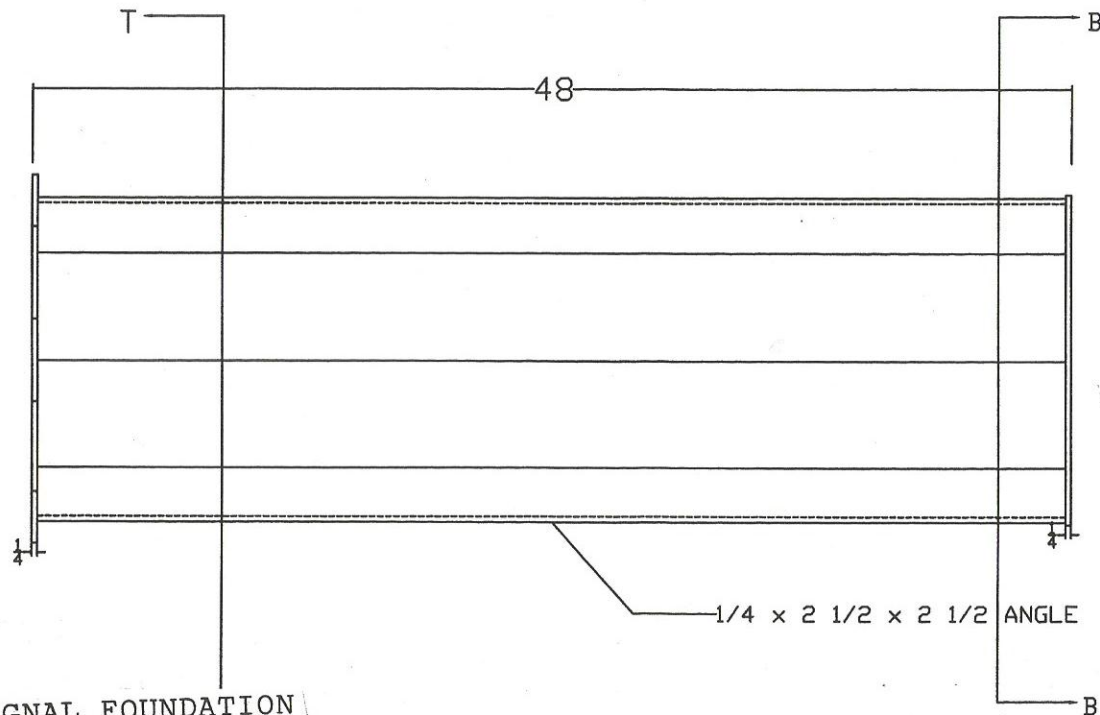
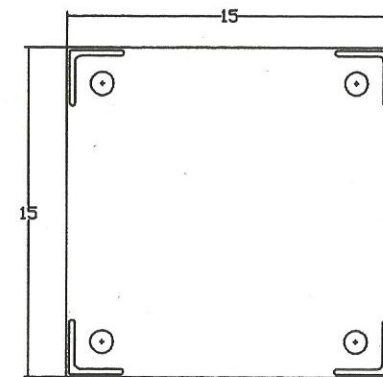


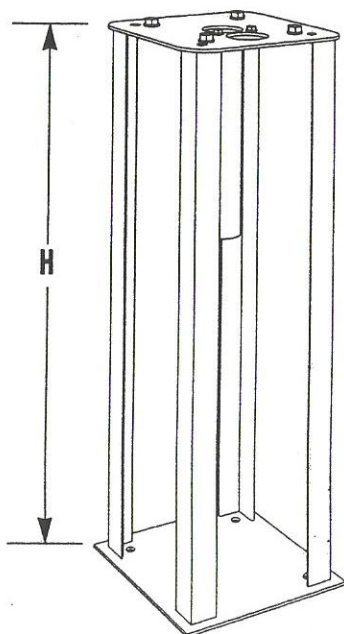
VIEW T-T  
TOP



SIGNAL FOUNDATION



VIEW B-B  
BOTTOM



HEIGHT 36" 48" 60"

**S & K**  
**Steel Products, Inc.**  
**850 Mandoline**  
**Madison Heights, MI 48071**  
**(248) 583-3192 Fax (248) 583-3194**

THE FINISH IS HOT DIP GALVANIZED. SUPPLIED WITH PROPER HARDWARE ALL WELDED 1/4" STEEL. F.O.B. MADISON HEIGHTS, MI(48071)SPECIALS ON REQUEST.