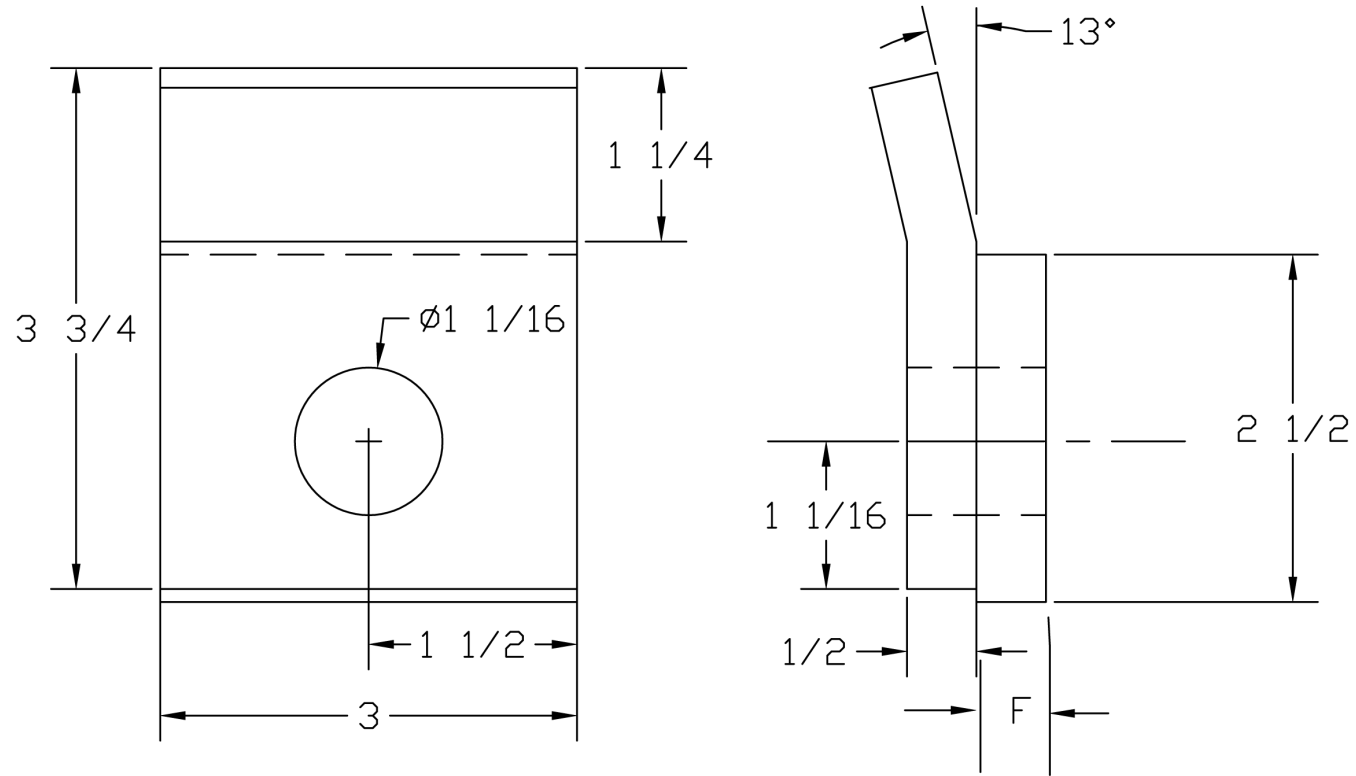


LOOSE FIT SINGLE HOLE CLAMP
& REVERSIBLE FILLER
100lb to 175lb



F = THICKNESS DEPENDS ON RAIL SIZE

3/5/2003

This drawing is the property of S&K Steel Products, Inc.
It is issued for engineering information only and may not
be copied for manufacturing without written permission from S&K.
S&K reserves the right to modify details necessary to facilitate mfg.

CFA205000

DESCRIPTION					
205 CLAMP & FILLER					
BOLT	BOLT GAGE	TYP SPACING	MAT'L	WEIGHT	REV
1"	BASE+2.75"	24"	A36	2.7 lbs	0
SCALE		TOL.	PART NO.		
NONE		+/- .030	CFA205000		