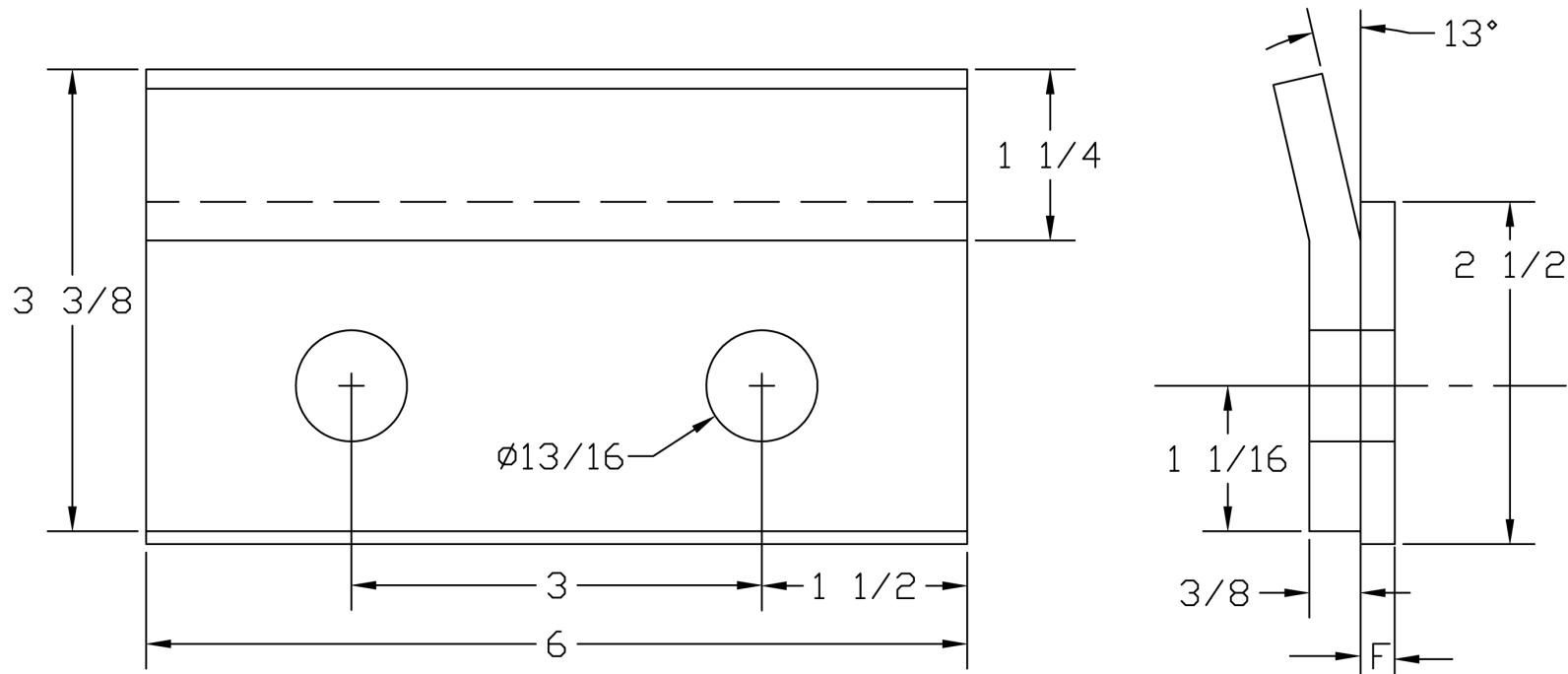


TIGHT FIT DOUBLE HOLE CLAMP & REVERSIBLE FILLER 20lb to 30lb



F = THICKNESS DEPENDS ON RAIL SIZE

3/5/2003

DESCRIPTION					
204 CLAMP & FILLER 20 & 30# RAIL					
BOLT 3/4	BOLT GAGE BASE+2.50"	TYP SPACING 24"	MAT'L A36	WEIGHT 1.52 lbs	REV 0
SCALE NONE	TOL. +/- .030	PART NO. CFA204300			

This drawing is the property of S&K Steel Products, Inc.
It is issued for engineering information only and may not
be copied for manufacturing without written permission from S&K.
S&K reserves the right to modify details necessary to facilitate mfg.

CFA204300