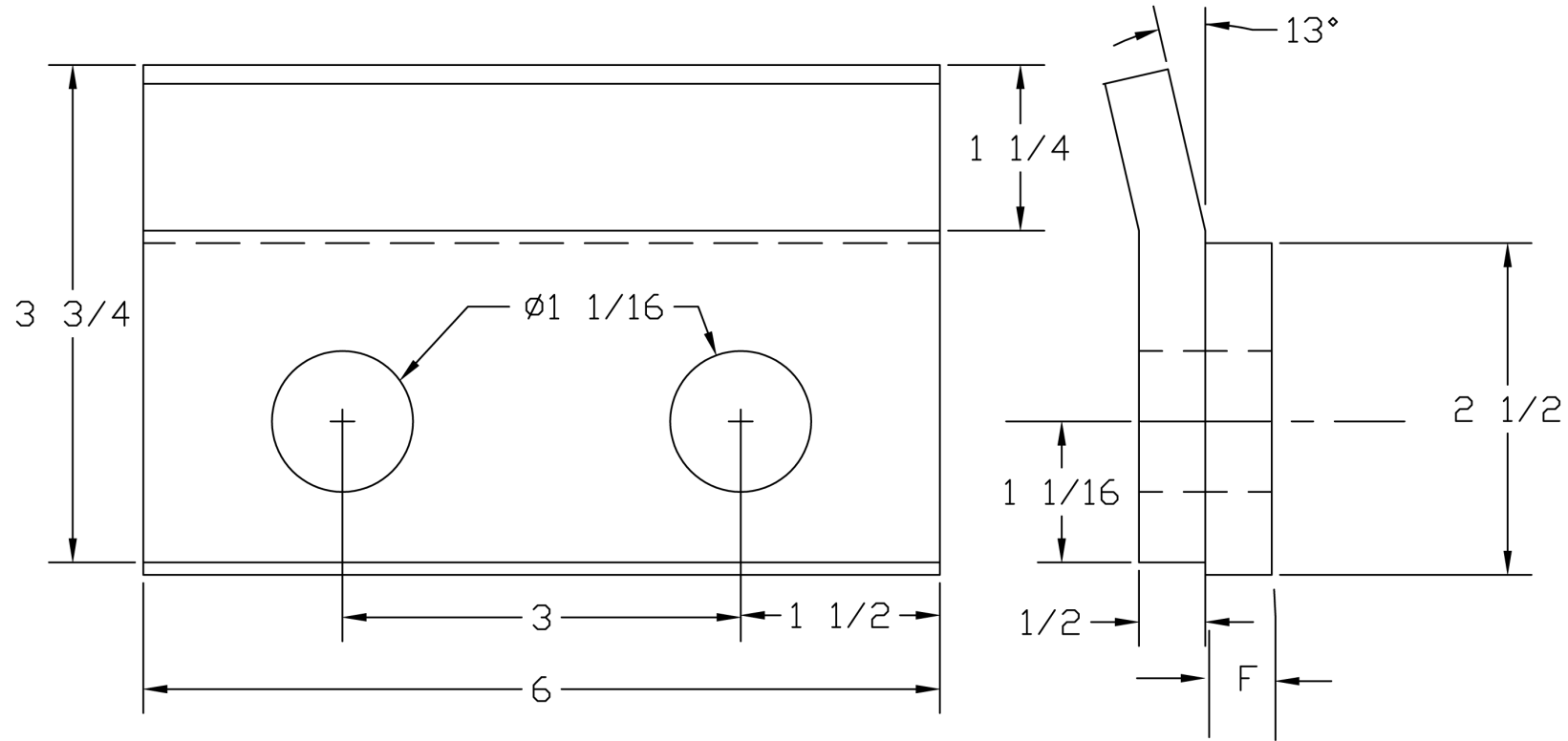


TIGHT FIT DOUBLE HOLE CLAMP
& REVERSIBLE FILLER
100lb to 175lb



F = THICKNESS DEPENDS ON RAIL SIZE

3/5/2003

DESCRIPTION					
#204 CLAMP & FILLER					
BOLT	BOLT GAGE	TYP SPACING	MAT'L	WEIGHT	REV
1"	BASE+2.75"	36"	A36	4.8 lbs	0
SCALE	TOL.		PART NO.		
NONE	+/- .030		CFA204000		

This drawing is the property of S&K Steel Products, Inc.
It is issued for engineering information only and may not
be copied for manufacturing without written permission from S&K.
S&K reserves the right to modify details necessary to facilitate mfg.

CFA204000