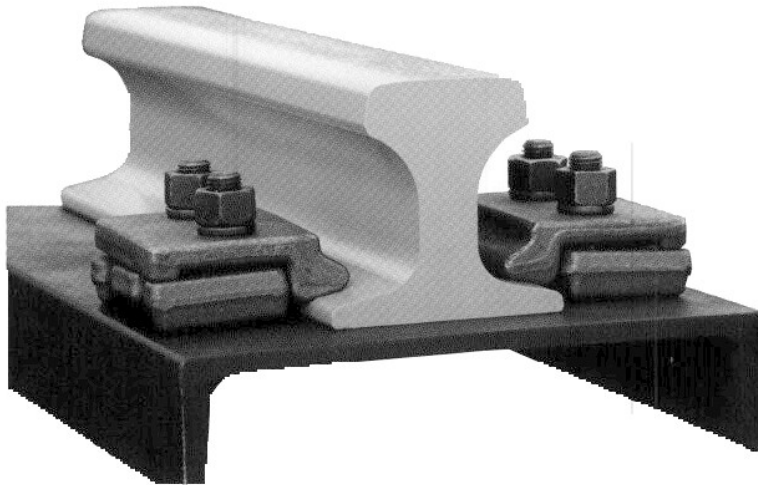
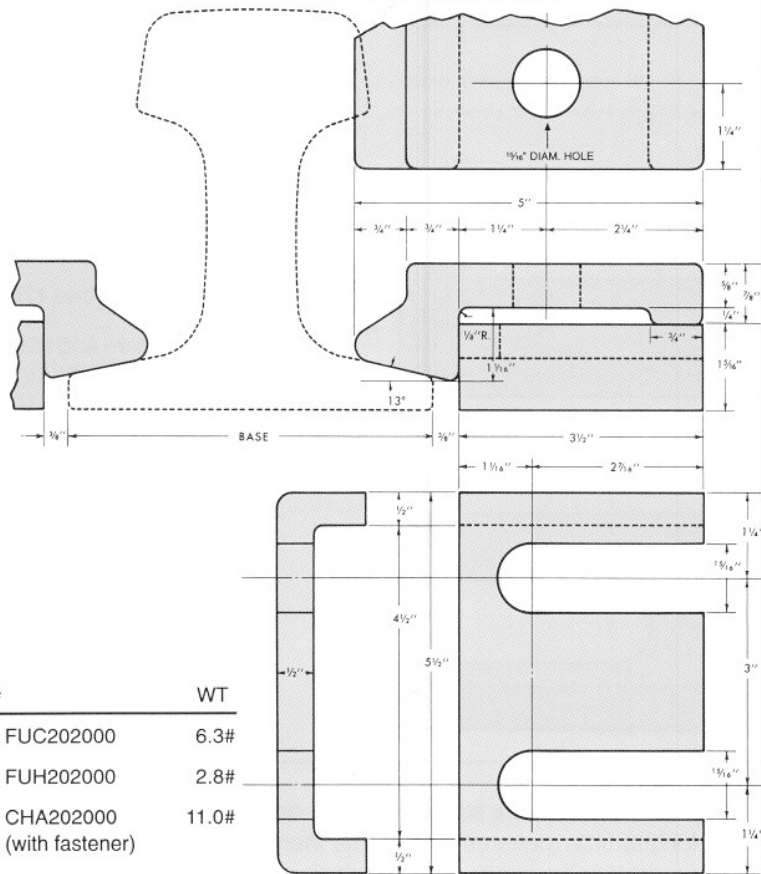


# No. 202

## Adjustable Forged Double Clip and Holder



Includes:  
 2-7/8" -9x3 A 325 Hex Head Bolt  
 2-7/8" -9 Heavy Hex Nut  
 2-7/8" Lock Washer



STK#		WT
Clip	FUC202000	6.3#
Holder	FUH202000	2.8#
Assembly	CHA202000 (with fastener)	11.0#

Recommended 3 foot on center.

Added strength of double bolt mounting.

Adjustable in field for rail alignment.

High resistance to lateral movement and rail turnover.

Weld in place.

Suitable for all crane rail sections

80# thru 175#

Forged from A36 steel.

Eliminates need for making holes in top of girder.

- Used as a tight or loose fit.
- 100% made in U.S.A.