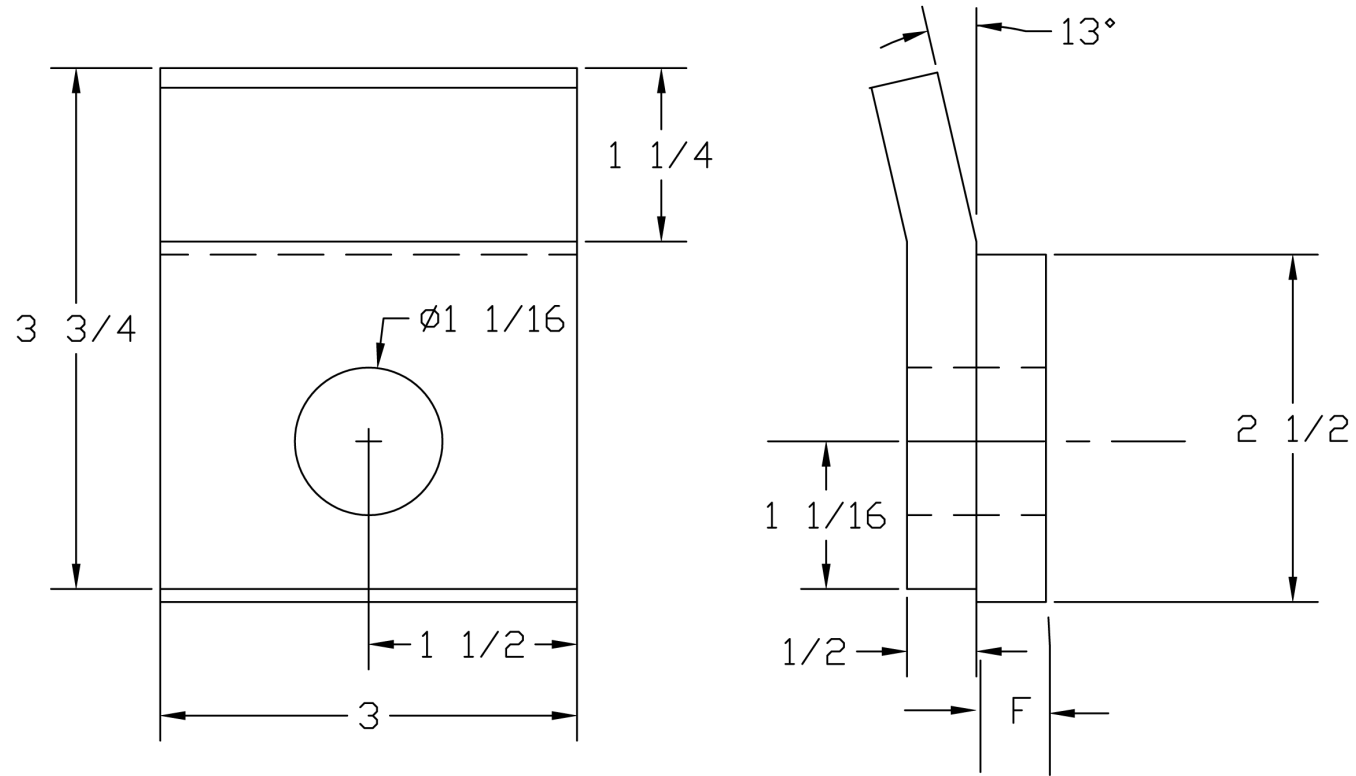


LOOSE FIT SINGLE HOLE CLAMP  
& REVERSIBLE FILLER  
100lb to 175lb



F = THICKNESS DEPENDS ON RAIL SIZE

3/5/2003

This drawing is the property of S&K Steel Products, Inc.  
It is issued for engineering information only and may not  
be copied for manufacturing without written permission from S&K.  
S&K reserves the right to modify details necessary to facilitate mfg.

CFA205000

| DESCRIPTION        |            |             |           |         |     |
|--------------------|------------|-------------|-----------|---------|-----|
| 205 CLAMP & FILLER |            |             |           |         |     |
| BOLT               | BOLT GAGE  | TYP SPACING | MAT'L     | WEIGHT  | REV |
| 1"                 | BASE+2.75" | 24"         | A36       | 2.7 lbs | 0   |
| SCALE              | TOL.       |             | PART NO.  |         |     |
| NONE               | +/- .030   |             | CFA205000 |         |     |